

NetVault SmartDisk

Fast, cost-effective and scalable disk-based backup and deduplication for NetVault Backup and vRanger

When it comes to disk-based backup of your business-critical data, what once seemed impossible on a limited storage budget is now easily attainable. Retaining a rapidly growing volume of data, backing it up within small windows that don't run into working hours and ensuring the data can be reliably recovered is significantly easier and less costly with NetVault SmartDisk.

This powerful data deduplication solution frees up storage space and reduces storage costs, yet requires only a minimal level of expertise to operate. Using an efficient byte-level, variable-block deduplication engine, SmartDisk ensures the highest levels of efficiency by analyzing data with more granularity. It also has the ability to dynamically change the block size to recognize more duplicate patterns. This approach can reduce the backup storage footprint by up to 90 percent.

SmartDisk is also hardware agnostic, so it will operate in your existing storage infrastructure. This eliminates the need to purchase expensive, specialized appliances. And with SmartDisk's post-process deduplication option, you can schedule the deduplication outside the backup window to prevent any impact on normal backup operations.

STORAGE SAVINGS ACROSS MIXED ENVIRONMENTS

NetVault SmartDisk seamlessly integrates with NetVault Backup, giving you greater control over your disk-to-disk backups and deduplication. In fact, you can turn deduplication on and off at the job level. This enables you to separately target deduplicated and non-deduplicated data to ensure the best storage savings and performance.

NetVault SmartDisk enables you to free up storage space and reduce storage costs, yet requires only a minimal level of expertise to operate.

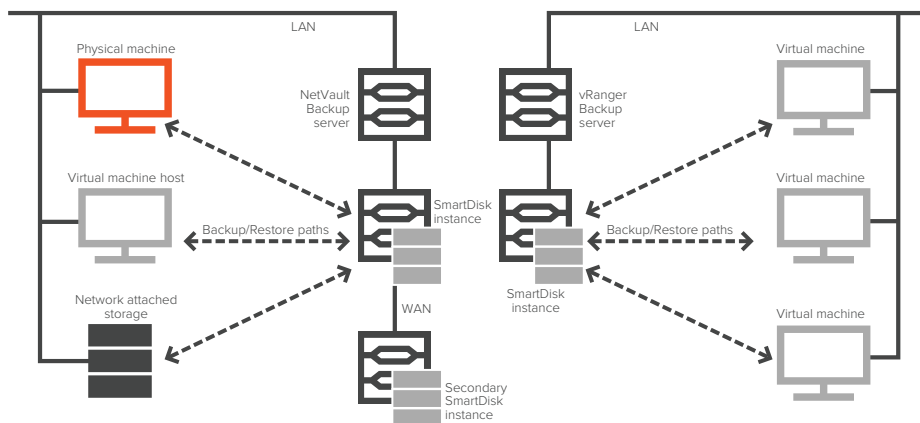
BENEFITS:

Simplified disk-based backup

- Byte-level, variable-block deduplication
- Software-based and hardware independent
- Post-process deduplication
- Rapid deployment with existing infrastructure
- Integrates with NetVault Backup and vRanger
- Deduplicates data across backup jobs and backup servers
- Replicates deduplicated data from one instance to another
- Easily scalable

Cost savings

- Reduces data storage footprint by up to 90 percent
- Analyzes data at a more granular level to prevent fixed blocks from masking changes and storing duplicate data as unique
- Works on most file systems and eliminates the need to acquire specialized appliances
- Enables you to scale by easily adding file system paths to existing storage pools, reducing complexity and deferring storage expenses



NetVault SmartDisk's ability to share disk-based backup storage across heterogeneous platforms eases administrator workloads by providing a single data protection solution.

For efficient off-site disaster recovery protection, NetVault Backup users can replicate deduplicated data from one SmartDisk instance to another. Because only unique bytes are sent over the wire, replication is extremely efficient. When this capability is combined with NetVault Backup's job-level encryption, you can save on storage and maintain strict security standards by deduplicating the primary copy of your backup data, while encrypting the secondary copies for offsite storage and compliance needs.

MAXIMIZE STORAGE RESOURCES IN VIRTUAL ENVIRONMENTS

NetVault SmartDisk also integrates with vRanger, our backup and recovery solution purpose-built for VMware. Redundant data proliferates quickly in virtual environments, but your storage infrastructure shouldn't stifle growth. With this combination, you'll not only get continuous and integrated data protection for your entire vSphere environment, you'll be able to dramatically reduce your backup storage footprint. SmartDisk deduplicates data across all of your vRanger backup jobs, across all of your ESX(i) servers, and even across multiple vRanger backup servers, allowing you to optimize your critical resources and allow room for growth.

As your disk-based backup and deduplication needs grow, the highly scalable SmartDisk architecture enables you to easily add more capacity without discarding existing deployments and wasting your previous investments. You also have the option to quickly deploy multiple SmartDisk instances to balance network, disk and deduplication workloads, as well as to ensure storage is not underutilized.

ADDITIONAL FEATURES

- **Deployment of multiple instances** allows you to distribute network loads and disk deduplication resources to improve load balancing and performance.
- **Shared storage support** enables you to share one storage repository across all of your physical and virtual backups.
- **Data movement support** within NetVault Backup lets you move data from one SmartDisk instance to another instance, or to a virtual tape library (VTL) and tape-based devices to place redundant backups in off-site locations for failover and disaster recovery.
- **Fast restores** minimize downtime and achieve shorter recovery time objectives.

ABOUT QUEST

Quest helps our customers reduce tedious administration tasks so they can focus on the innovation necessary for their businesses to grow. Quest® solutions are scalable, affordable and simple-to-use, and they deliver unmatched efficiency and productivity. Combined with Quest's invitation to the global community to be a part of its innovation, as well as our firm commitment to ensuring customer satisfaction, Quest will continue to accelerate the delivery of the most comprehensive solutions for Azure cloud management, SaaS, security, workforce mobility and data-driven insight.

SUPPORTED PLATFORMS

NetVault Backup: Windows, UNIX, Linux and Mac OS X

vRanger: Windows

Learn more and download trial versions at quest.com/solutions/data-protection/

Quest

4 Polaris Way, Aliso Viejo, CA 92656 | www.quest.com
If you are located outside North America, you can find local office information on our Web site.

Quest, NetVault, vRanger and the Quest logo are trademarks and registered trademarks of Quest Software Inc. For a complete list of Quest marks, visit www.quest.com/legal/trademark-information.aspx. All other trademarks and registered trademarks are property of their respective owners.

© 2017 Quest Software Inc. ALL RIGHTS RESERVED.

DataSheet-NetVaultSmartDisk-US-KS-25719

